



# FIRE-RATED WASHING MACHINE OUTLET BOX

696R SERIES

OxBox™

## SPECIFICATION

Sioux Chief 696 series OxBox™ fire-rated outlet box shall be used where necessary in plumbing systems. Unit shall allow for mounting with supply lines from top or bottom, on-stud or between-studs. Supply and drain boxes can be connected using U-Clip (provided) or separated as desired. Unit shall include plated, 1/4-turn valves with 3/4" MHT outlets. Valve outlets shall be provided with tamper-resistant test caps. Valve handles on arrester models can be operated together (single throw) or independently. Metal support bracket can be installed into top/bottom tracks of box. Drain box shall have a testable 5/8" nipple on drain cover. Designed in accordance with IAPMO PS 54-2021a.

## MATERIALS

- Valve body:** Forged brass<sup>1,2</sup>
- Valve shank:** Brass<sup>1,2</sup> or CPVC with 304SS grip ring, brass nut, silicone seal
- Outlet box:** ABS
- Box frame:** Fire-rated ABS
- Frame extension:** Fire-rated ABS<sup>3</sup>
- Arrester body:** 304SS barrel with brass<sup>1</sup> body
- Arrester piston:** Polypropylene with EPDM o-rings
- Bracket/U-Clip:** Galvanized steel
- Fire guard:** intumescent material

## CERTIFICATIONS/APPROVALS

NSF-372 compliant<sup>1</sup>, IAPMO listed box and valves, Arresters meet ASSE 1010, Valves meet ASME A112.18.1 Listed by Warnock Hersey (see back side) System design number: SC/WA120, W/N 14409

## VALVE/ARRESTER WORKING LIMITS

- Max Working Temperature:** 200° F
- Max Testing/Working Pressure:** 150 PSIG

## DIMENSIONS

- A:** Frame width 11-1/2"
- B:** Frame height 7-1/4"
- C:** Box width 4" (single) or 10" (double with clip)
- D:** Box height 5-1/2"
- E:** Box depth 3-1/2"
- F:** Supply inlet 1/2" Nom. 2" O.C.
- G:** Supply outlet 3/4" Male hose thread
- H:** Drain connection 2" Sch. 40 hub
- I:** Test nipple 5/8" O.D.
- J:** Knockout For secondary drainage funnel<sup>4</sup>
- Bracket length 17"

ITEM # SUBMITTED \_\_\_\_\_

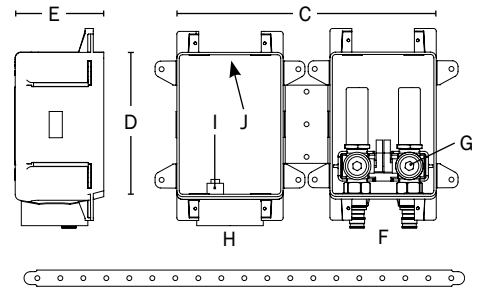
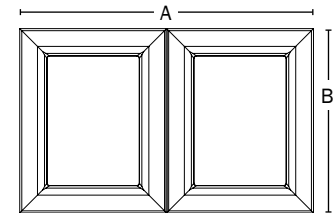
JOB NAME \_\_\_\_\_

LOCATION \_\_\_\_\_

ENGINEER \_\_\_\_\_

CONTRACTOR \_\_\_\_\_

PO# \_\_\_\_\_ TAG \_\_\_\_\_



## Create Item Number

**696ABCD**

e.g. **696RG2313XF**: Fire-rated Washing machine outlet box with frame; no-lead valves with arresters, F1807 connection

**VALVE MATERIAL A**  
**R** = Standard brass<sup>2</sup>  
**RG** = No-lead brass<sup>1</sup>

**ARRESTERS B**  
**2303** = No arresters  
**2313** = With arresters

**SUPPLY CONNECTION C**  
**CF** = CPVC (male)  
**MF** = MIP/FSWT  
**PF** = MSWT/Press/Push  
**VF** = F3347 PEX  
**WF** = F1960 PEX  
**XF** = F1807 PEX

Accessories - Available Separately:  
 696-EX: Frame extension<sup>3</sup> (fits single box)  
 696-CF: Secondary drainage funnel<sup>4</sup>

<sup>1</sup> C69300 material is DZR and SCC resistant, compliant with NSF-61 & 372, and compliant with California No Lead Plumbing Law | <sup>2</sup> C37700 and C36000 material  
<sup>3</sup> 696-EX frame extension available separately. Use with 2 layers of drywall for 2-hour specifications | <sup>4</sup> Secondary drainage funnel (696-CF) accepts 1/2", 3/4", or 1" CTS

# FIRE-RATED OXBOX

## DESIGN SPECIFICATION

### 1. WALL CONSTRUCTION

- Wood or metal stud construction, max 100 in.<sup>2</sup> of penetrations per 100 ft<sup>2</sup> of wall.
- 16" or 24" on-center stud construction.
- Can be installed with a gap between front and back wall assemblies (UL Design # U341) (Figure 2).
- Single-layer 5/8" gypsum construction with 1-hour fire rating.
- Double-layer 5/8" gypsum construction with 2-hour fire rating.  
Frame extensions can be used.
- Boxes cannot be installed back-to-back.

### 2. PIPE/BOX SUPPORT

- Each outlet box shall be installed in a separate stud bay and attached to the stud (Figure 3 & 4). Fire rating does not apply to installations of two or more boxes in the same stud bay.
- Supplied support bar.
- Supply lines to be installed using ordinary methods.
- Drain line to be supported using ordinary methods.

### 3. PIPE MATERIAL

- 2" or larger metallic, PVC, or ABS DWV pipe.
- Metallic or plastic water supply pipe.

### 4. FIRESTOP DEVICE

Sioux Chief fire-rated OxBox uses fire-rated resin. Boxes have 4" x 4" intumescent adhesive pads factory installed on the back of boxes.

NOTE: Gaps up to 1/2" around box can be sealed with drywall plaster. Larger gaps require firestop sealant applied to opening spanning entire drywall depth

FIGURE 1

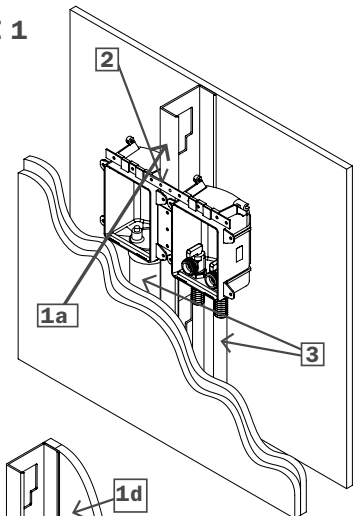
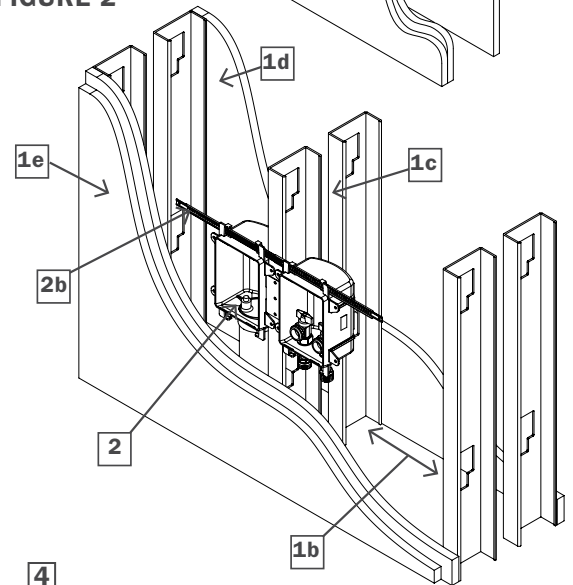


FIGURE 2



"over stud" installation

"separate stud bay" installation

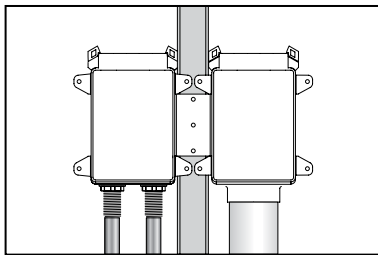


FIGURE 3

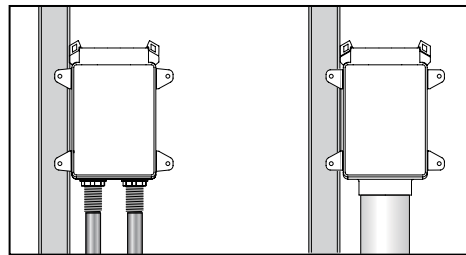
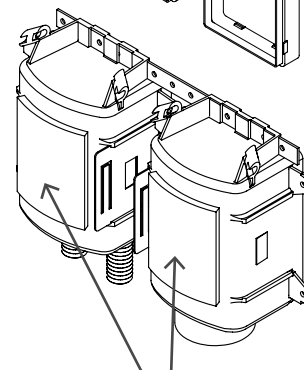
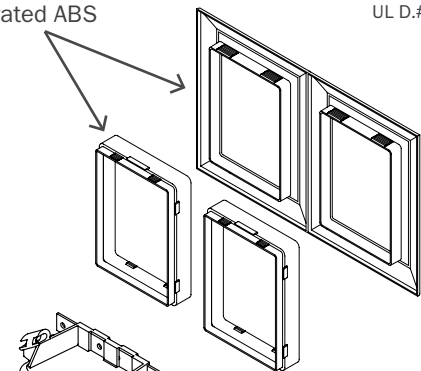


FIGURE 4

4 Fire-rated ABS

UL D.#U341



Intumescent pads

**THE FIRE-RATED OXBOX IS CERTIFIED BY INTERTEK/WARNOCK HERSEY TO THE FOLLOWING FIRE RATING STANDARDS:**

#### ASTM E-814

2 hours (F), 90 mins (T)  
for 2-hour design  
1 hour (F), 31 mins (T)  
for 1-hour design

#### ASTM E119

#### CAN/ULC S115

2 hours (F), 90 mins (T)  
for 2-hour design  
1 hour (F), 31 mins (T)  
for 1-hour design

#### UL 1479



SCM SPEC ID  
23320